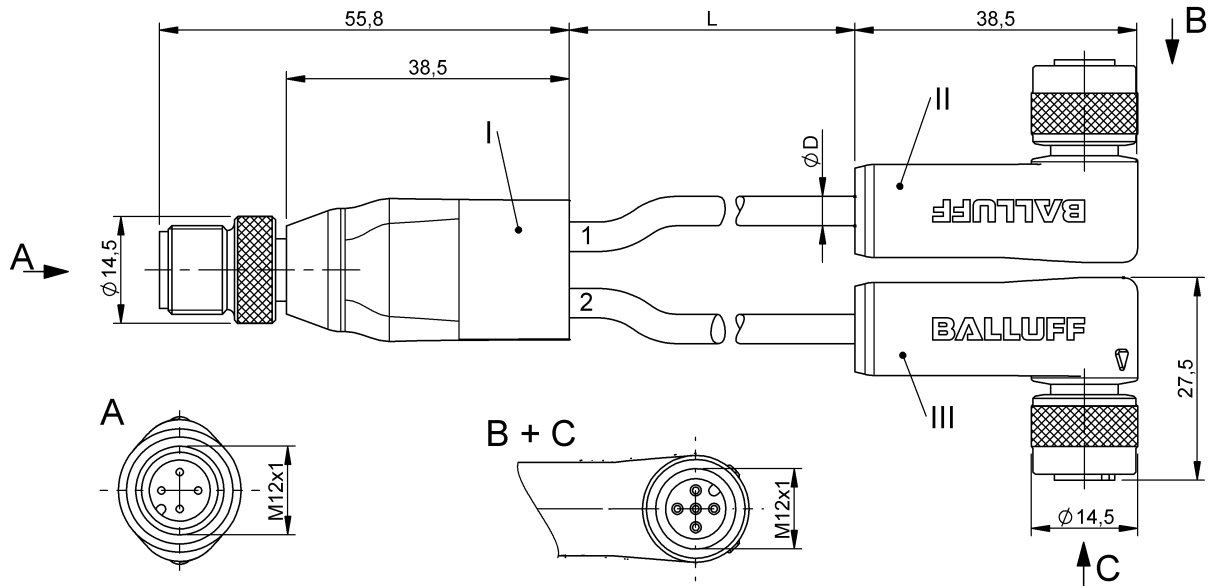


## Y-Splitters

BCC W414-W425-W425-U2044-006

Order Code: BCC0EHL

# BALLUFF



### Basic features

Application	Welding area
Approval/Conformity	CE WEEE

### Electrical connection

Bending radius min., fixed cable	8 x D
Bending radius min., flexible cable	15 x D
Cable diameter D	4.40 mm ±0.20 mm
Conductor cross-section	0.34 mm <sup>2</sup>
Connection 1	M12x1-Male, straight, 4-pin, A-coded
Connection 2	M12x1-Female, angled, 5-pin, A-coded
Connection 3	M12x1-Female, angled, 5-pin, A-coded
Connector 01, version	straight
Connector 02, version	angled
Connector 03, version	angled
Number of conductors	3/3
Number of pins	4/5/5
System	Molded/Molded/Molded

### Electrical data

Operating voltage U <sub>b</sub>	250 VDC / 250 VAC
Rated current (40 °C)	4.0 A

### Remarks

Maximum temperature at outer jacket from weld spatter/beads short-time 800°C.  
Flame-retarding  
Enclosure rating per IEC 60529, only in screwed state with the associated mating piece.

### Environmental conditions

Cable temperature, fixed routing	-50...130 °C
Cable temperature, flexible routing	-40...125 °C
IP rating	IP67, IP68, IP69K/IP67, IP68, IP69K

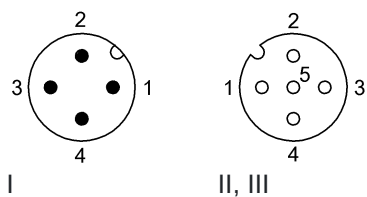
### Material

Cable jacket material, note	welding spark resistant
Cable jacket, material	TPE
Material contact carrier	PUR, special/PUR, special/PUR, special
Material contacts	Brass/Bronze/Bronze
Material cover nut	Brass PTFE coated/Brass PTFE coated/Brass PTFE coated
Material grip	PUR, special/PUR, special/PUR, special

### Mechanical data

Cable jacket, color	gray
Cable length L	0.60 m
Tightening torque pigtail	0.6 Nm/0.6 Nm/0.6 Nm

## Connector Drawings



## Wiring Diagrams

